

### Description

Our Closet Door Systems are ideal for any sliding closet application. Doors slide on QuietSlide™ Track. '2 Doors, 2 Lines of Track' configuration shown at left. Please see page 2 for other common configurations.

### Frame

Clean & simple, yet sleek frame design. Our aluminum extrusion frames are ideal for use in both professional or residential applications. Systems are fully finished on both sides with virtually no visible screws or fasteners.

### Interlayer

Wallcovering of customer's choice. Each wallcovering is sourced and installed in each door at the factory, so the final product is completely finished and ready to be installed once it arrives on the jobsite. Send wallcovering manufacturer and specification to us with your quote request.

### Glass Cover

Optional. Additionally, each wallcovered interlayer can be covered with a clear, tempered sheet of glass integrated inside the door frame.

### Frame Size

- 1in wide (Sleek, modern)
- 3in wide (Classic, traditional)

### Frame Finish

Aluminum frames are offered in high-quality, durable anodized or powder coat finishes: Anodized Aluminum, Dark Espresso, Snow White and Knight Black. Custom powder coat colors are available.

### QuietSlide™ Track

Overhead track suitable for surface or recessed mounting. The QuietSlide Track System ensures a smooth roll and quick installation. Aluminum extrusion with mounting holes and a design that ensures track wheels will never jump their tracks. All track hardware is included.

- Standard. Surface mounted, fascia included.
- Recessed. Recess mounted.

### Floor Alignment Guide

Floor alignment guides allow for vertical alignment and extra stability of doors.

- Standard Guide. Surface mounted full length guide.
- Recessed Guide. Recess mounted full-length guide.
- 5/8" Recessed Guide. Recess mounted 5/8" wide U-Channel full-length guide.
- Bracket Guides. Small bypass guides. Suited for 2-door bypassing systems.

### Green Building

Perfect for consideration in LEED®-certified projects.



The LEED® (Leadership in Energy and Environmental Design) Green Building Rating System is the nationally accepted benchmark for the design, construction, and operation of high performance green buildings.

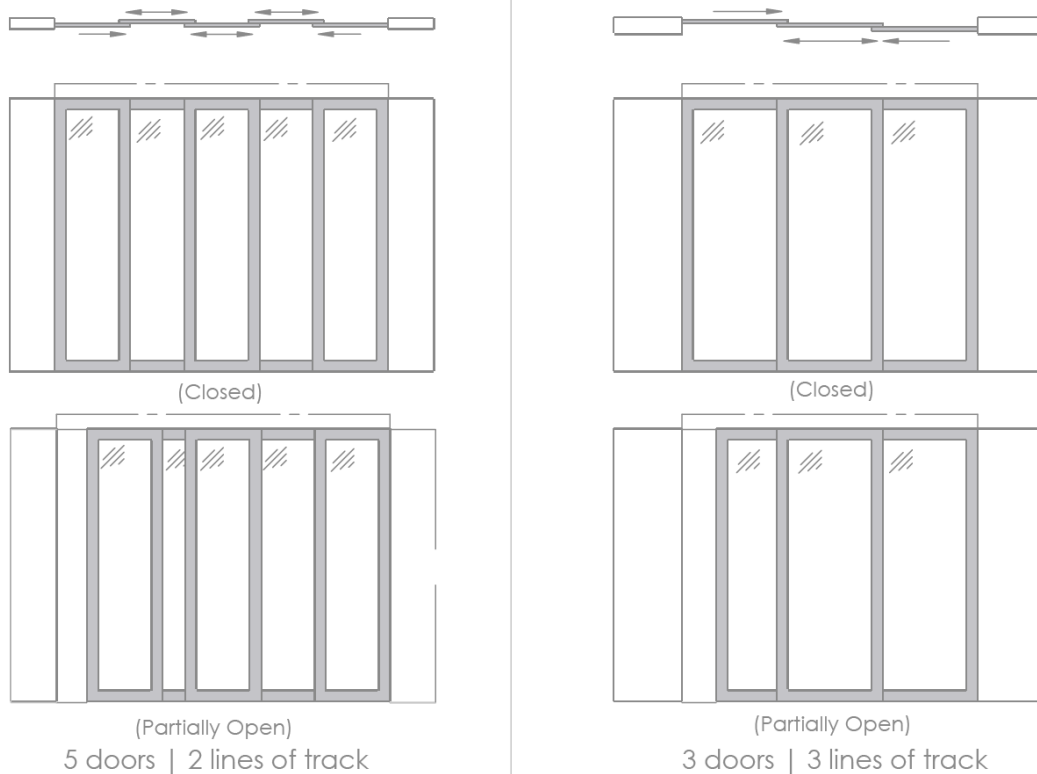
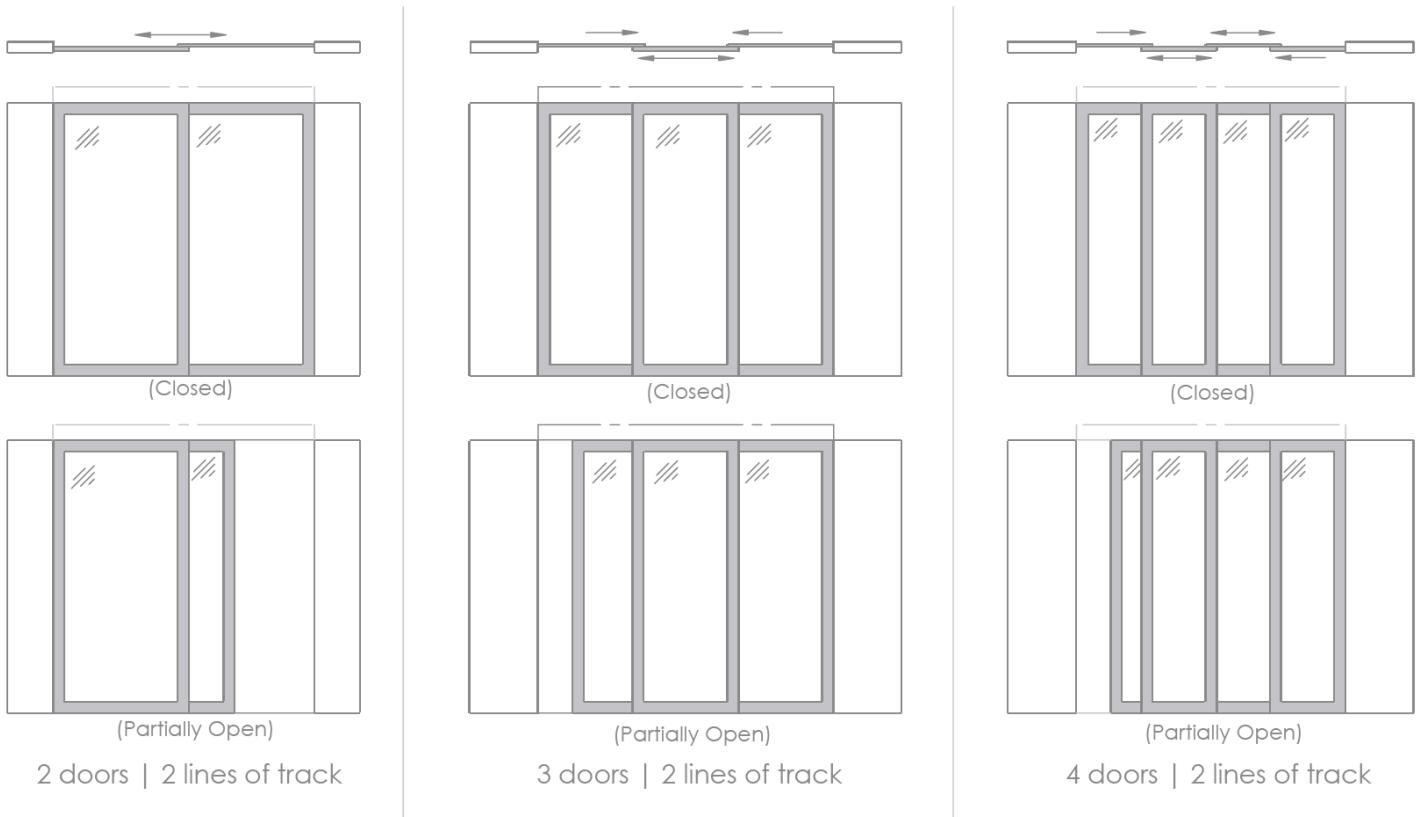
'LEED' is a trademark owned by the USGBC (U.S. Green Building Council).

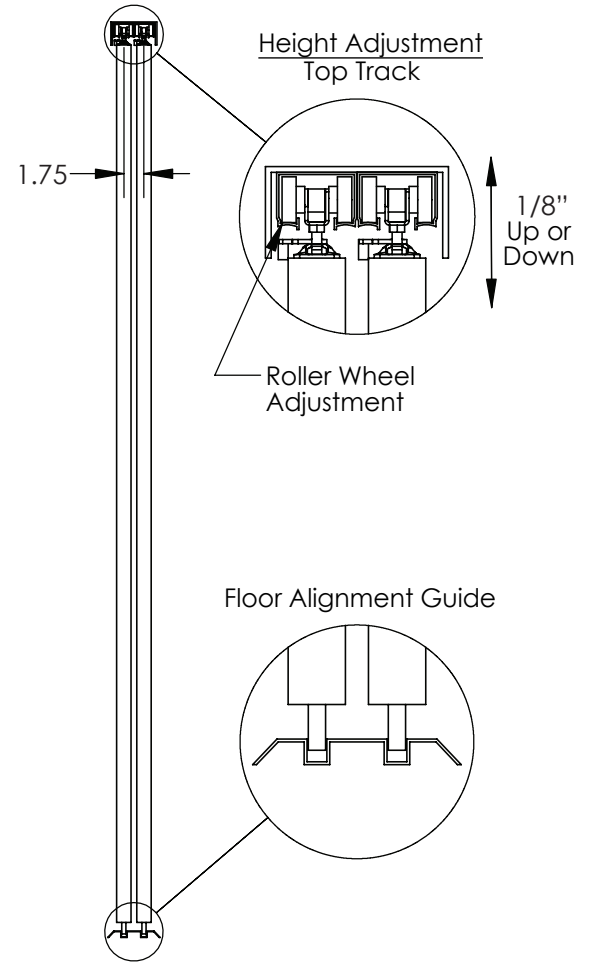
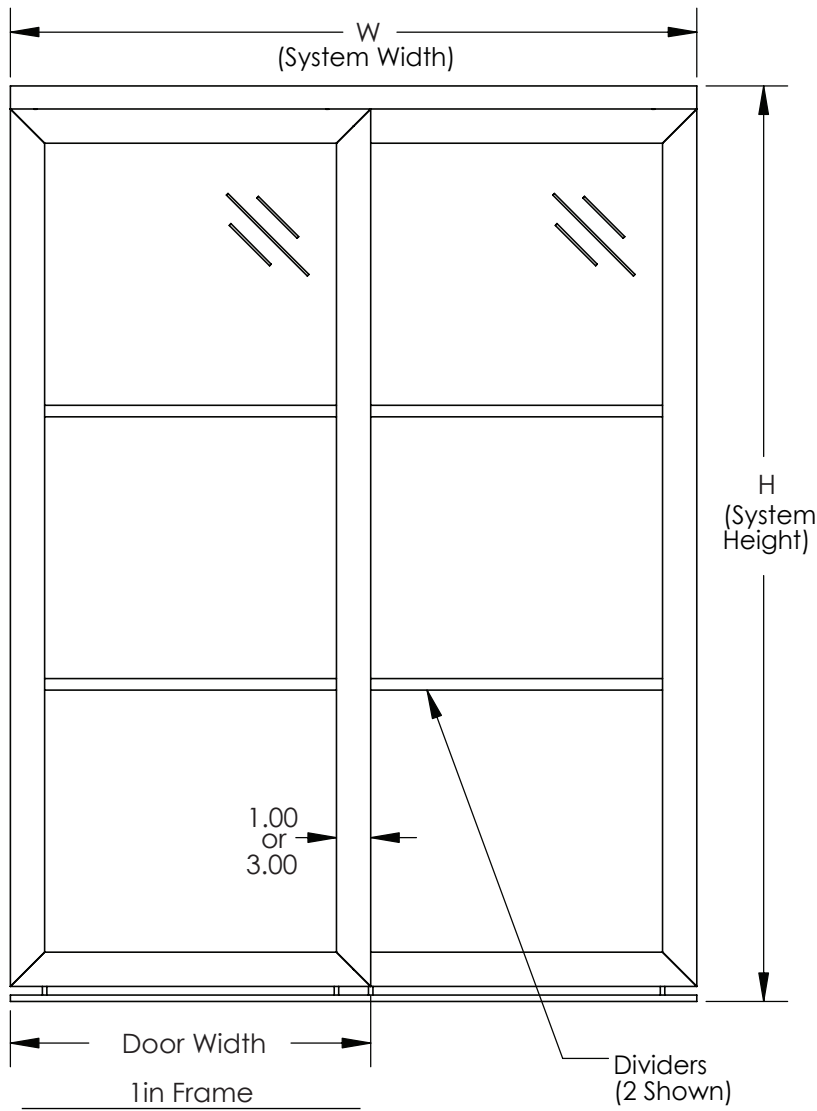
Made in the USA.

### Model Number

Closet	# Doors	# Lines of Track	Opening Width (inches)	Opening Height (inches)	Frame Size 1 - 1in 3 - 3in	Frame Finish AA - Anodized Aluminum PE - Dark Espresso PW - Snow White PB - Knight Black	QuietSlide Track S - Standard R - Recessed	Floor Alignment Guide S - Standard R - Recessed 8 - 5/8" Recessed B - Bracket Guides	Finger Pulls NN - None SF - Satin Nickel BF - Solid Brass KF - Black	Glass Cover N - None G - Clear Glass	Wallcovering Manufacturer & Specification

For a quote, please complete and email to [sales@openclosedoors.com](mailto:sales@openclosedoors.com)



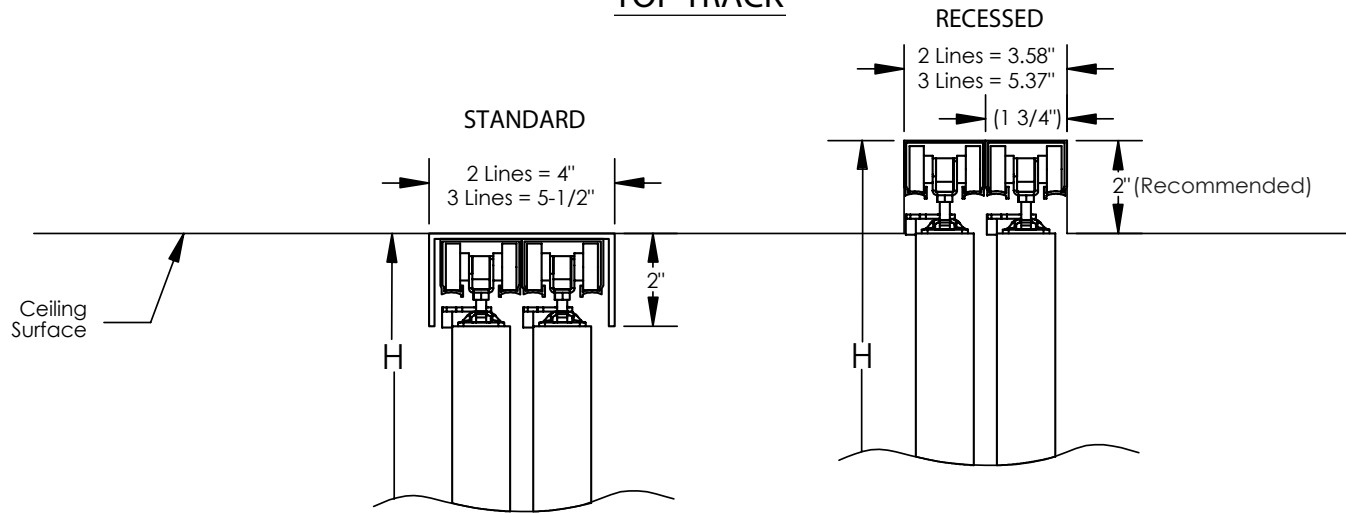


2 Door System =  $(W+1)/2$   
 3 Door System =  $(W+2)/3$   
 4 Door System =  $(W+3)/4$

3in Frame

2 Door System =  $(W+3)/2$   
 3 Door System =  $(W+6)/3$   
 4 Door System =  $(W+9)/4$

**TOP TRACK**



**FLOOR ALIGNMENT GUIDE**

