

Description

Our Closet Door Systems are ideal for any sliding closet application. Doors slide on QuietSlide™ Track. '2 Doors, 2 Lines of Track' configuration shown at left. Please see page 2 for other common configurations.

Frame

Clean & simple, yet sleek frame design. Our aluminum extrusion frames are ideal for use in both professional or residential applications. Systems are fully finished on both sides with virtually no visible screws or fasteners.

Interlayer

- Dry-Erase. White glossy surface for use with dry-erase markers.
- Magnetic Dry-Erase. Magnetic white glossy surface for use with dry-erase markers.
- Chalkboard. Matte black surface for chalk applications.
- Magnetic Chalkboard. Magnetic matte black surface for chalk applications.
- Corkboard. Natural cork surface suitable for tackable applications.
- Fabric-Covered Corkboard. Choose from eighteen standard solid-colored fabrics that cover a natural cork surface suitable for tackable applications.

Frame Size

- 1in wide (Sleek, modern) *Corkboard Interlayers only available in 3in option.
- 3in wide (Classic, traditional)

Frame Finish

Aluminum frames are offered in high-quality, durable anodized or powder coat finishes: Anodized Aluminum, Dark Espresso, Snow White and Knight Black. Custom powder coat colors are available.

QuietSlide™ Track

Overhead track suitable for surface or recessed mounting. The QuietSlide Track System ensures a smooth roll and quick installation. Aluminum extrusion with mounting holes and a design that ensures track wheels will never jump their tracks. All track hardware is included.

- Standard. Surface mounted, fascia included.
- Recessed. Recess mounted.

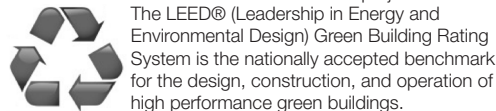
Floor Alignment Guide

Floor alignment guides allow for vertical alignment and extra stability of doors.

- Standard Guide. Surface mounted full length guide.
- Recessed Guide. Recess mounted full-length guide.
- 5/8" Recessed Guide. Recess mounted 5/8" wide U-Channel full-length guide.
- Bracket Guides. Small bypass guides. Suited for 2-door bypassing systems.

Green Building

Perfect for consideration in LEED®-certified projects.



The LEED® (Leadership in Energy and Environmental Design) Green Building Rating System is the nationally accepted benchmark for the design, construction, and operation of high performance green buildings.

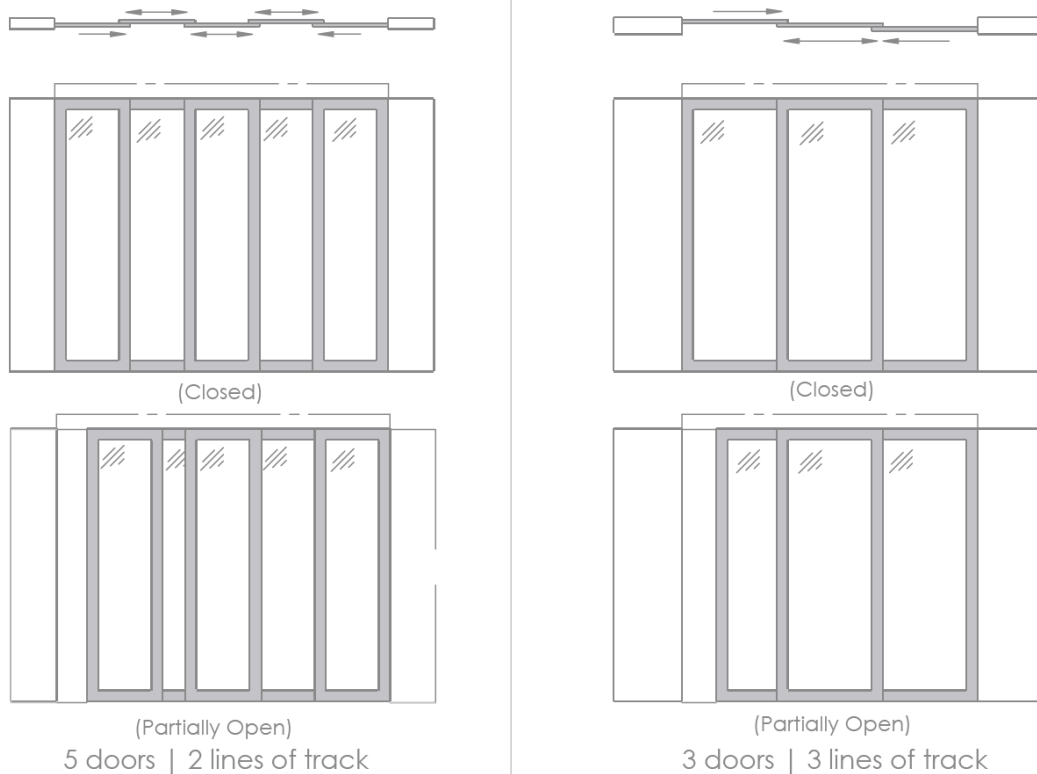
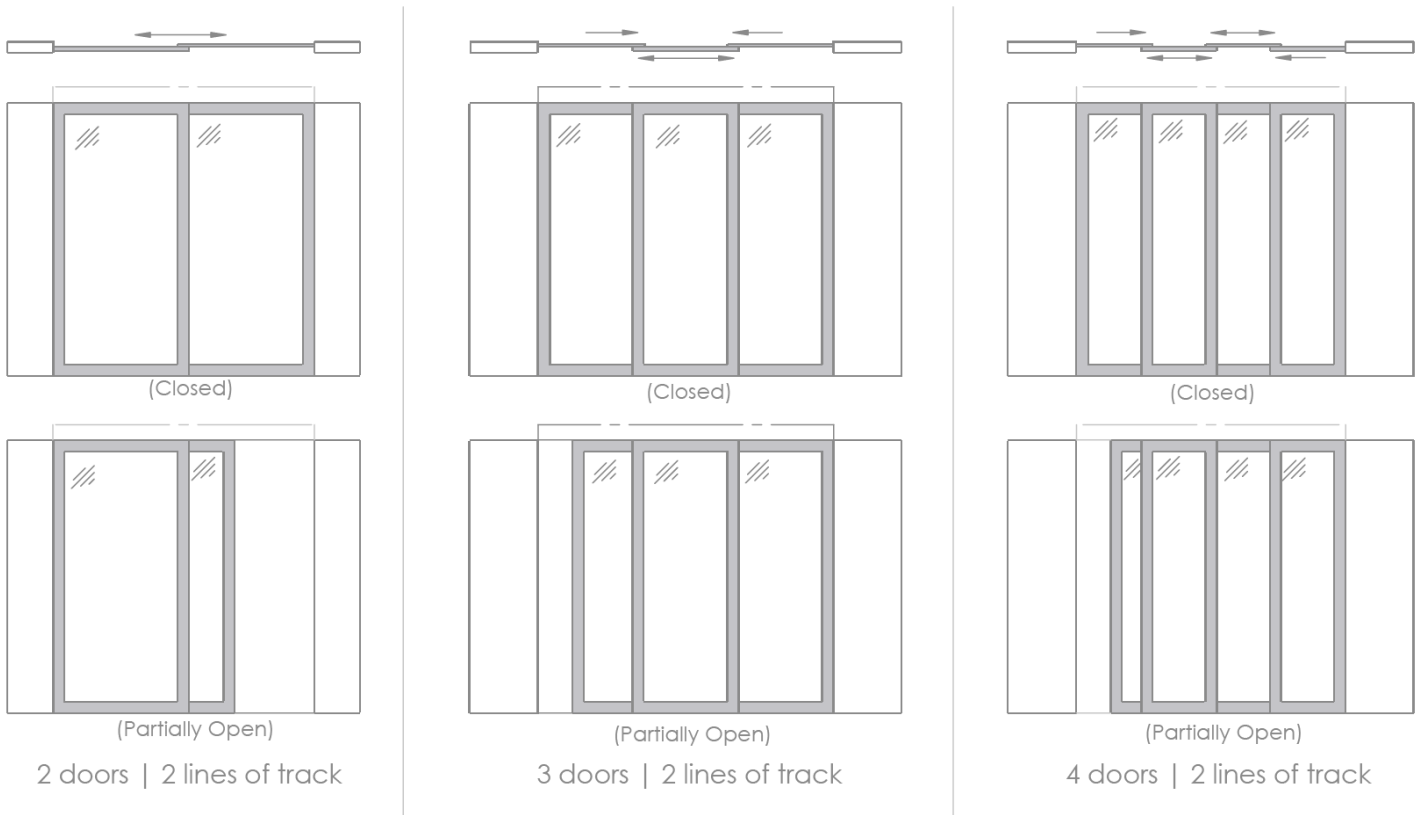
*LEED® is a trademark owned by the USGBC (U.S. Green Building Council).

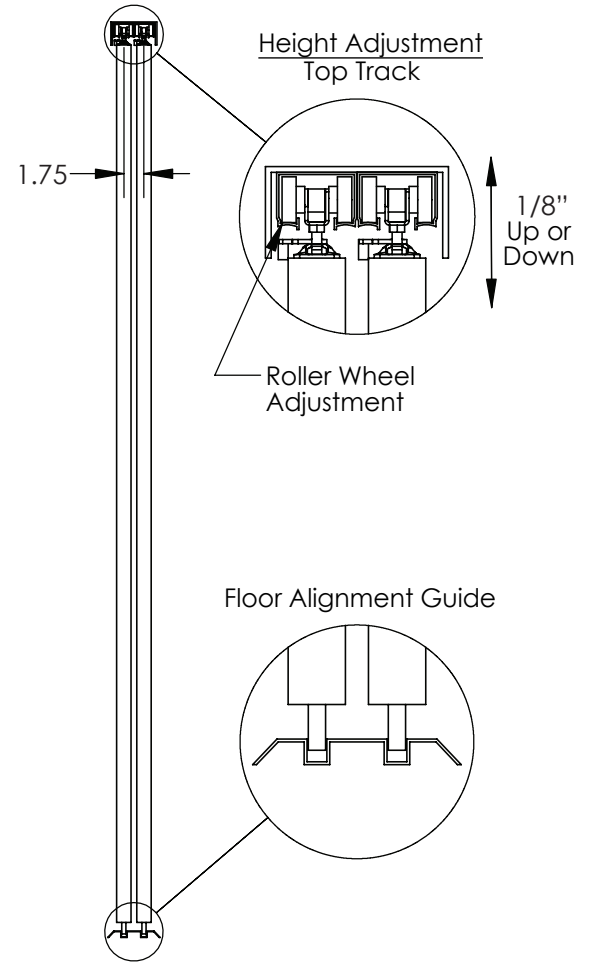
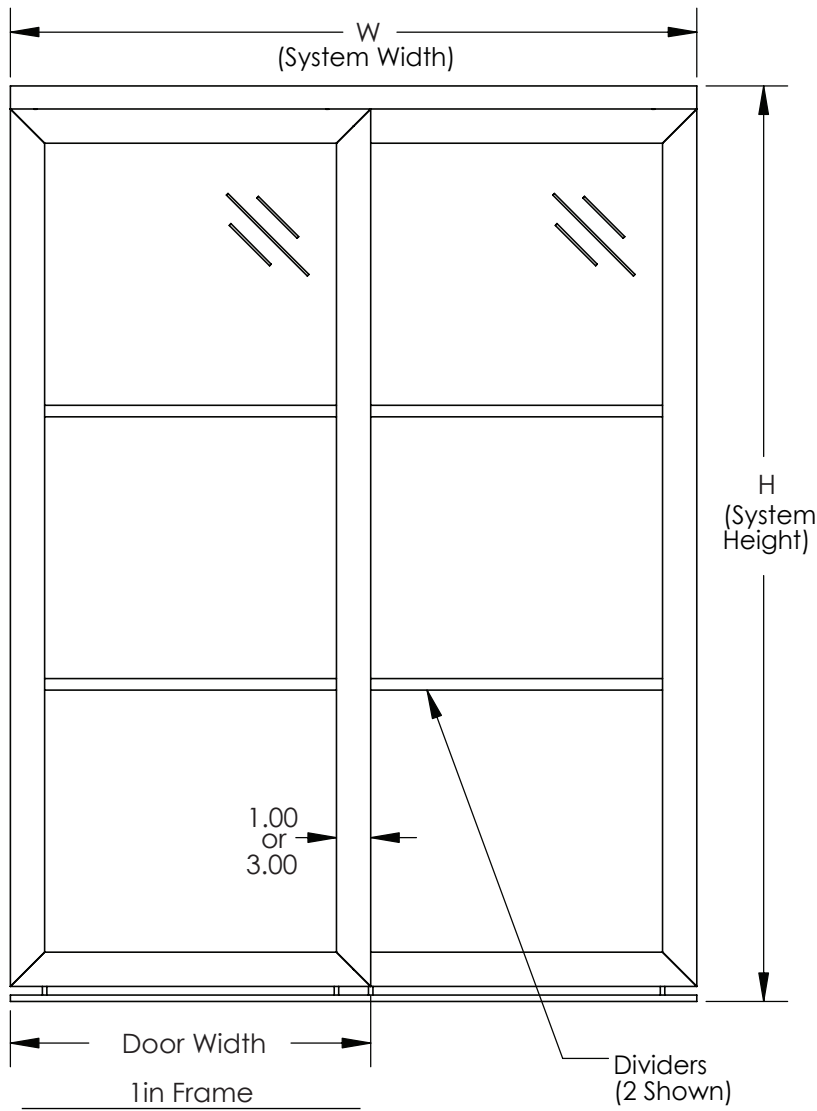
Made in the USA.

Model Number

Closet	# Doors	# Lines of Track	Opening Width (inches)	Opening Height (inches)	Interlayer	Frame Size	Frame Finish	QuietSlide Track	Floor Alignment Guide	Finger Pulls
					DDE - Dry Erase-White DMD - Magnetic Dry Erase-White DCH - Chalkboard DMC - Magnetic Chalk CGH - Grasshopper CPS - Pistachio CSA - Sapling CCV - Clover CGR - Graphite	1 - 1in 3 - 3in	AA - Anodized Aluminum PE - Dark Espresso PW - Snow White PB - Knight Black	S - Standard R - Recessed	S - Standard R - Recessed 8 - 5/8" Recessed B - Bracket Guides	NN - None SF - Satin Nickel BF - Solid Brass KF - Black
					CCB - Corkboard CVE - Vellum CYS - Oyster CMC - Mica CDR - Driftwood CQU - Quahaug CSE - Sesame					CSU - Sunlight CMA - Mandarin CAU - Aurora CPE - Periwinkle CAD - Admiral CTH - Thunder CCR - Crystal

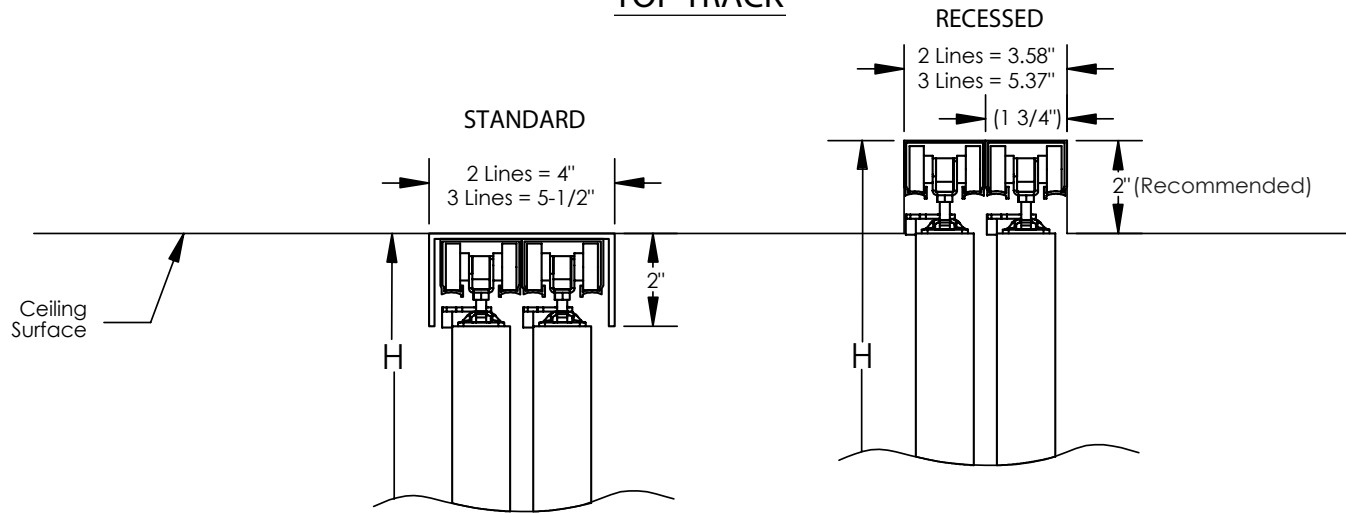
For a quote, please complete and email to sales@opencloseddoors.com





- 2 Door System = $(W+1)/2$
 3 Door System = $(W+2)/3$
 4 Door System = $(W+3)/4$
- 3in Frame
- 2 Door System = $(W+3)/2$
 3 Door System = $(W+6)/3$
 4 Door System = $(W+9)/4$

TOP TRACK



FLOOR ALIGNMENT GUIDE

