

Description

Our Closet Door Systems are ideal for any sliding closet application. Doors slide on QuietSlide™ Track. '2 Doors, 2 Lines of Track' configuration shown at left. Please see page 2 for other common configurations.

Frame

Clean & simple, yet sleek frame design. Our aluminum extrusion frames are ideal for use in both professional or residential applications. Systems are fully finished on both sides with virtually no visible screws or fasteners.

Interlayer

Our exciting Layered Glass Interlayers are created by placing one of our incredible design layers between two pieces of 1/8" thick clear, tempered glass. The effect of these Interlayers can be very striking and provide a very detailed, high-end element to any interior space. Layered Glass designs are:

- mosaic. 5/8" x 5/8" squares that provide a prism-like light scattering effect.
- bubbly. 3/8" dia circles that provide excellent privacy and light reflection.
- pebbled. 1/4" to 1" random pebble shapes with a slight metallic tint.
- citylights. tiny 1/4" x 1/4" squares that refract and reflect light in multiple directions.
- cotton. simulates cotton fabrics, provides great privacy and light transmission.
- linen. thin, wavy white linen pattern provides great design and partial privacy.

Frame Size

- 1in wide (Sleek, modern)
- 3in wide (Classic, traditional)

Frame Finish

Aluminum frames are offered in high-quality, durable anodized or powder coat finishes: Anodized Aluminum, Dark Espresso, Snow White and Knight Black. Custom powder coat colors are available.

QuietSlide™ Track

Overhead track suitable for surface or recessed mounting. The QuietSlide Track System ensures a smooth roll and quick installation. Aluminum extrusion with mounting holes and a design that ensures track wheels will never jump their tracks. All track hardware is included.

- Standard. Surface mounted, fascia included.
- Recessed. Recess mounted.

Floor Alignment Guide

- Standard Guide. Surface mounted full length guide.
- Recessed Guide. Recess mounted full-length guide.
- 5/8" Recessed Guide. Recess mounted 5/8" wide U-Channel full-length guide.
- Bracket Guides. Small bypass guides. Suited for 2-door bypassing systems.

Dividers

Our doors may optionally be fitted with 1 to 5 horizontal dividers that are finished to match the door frame. Dividers are installed at factory.

Green Building

Perfect for consideration in LEED®-certified projects. The LEED® (Leadership in Energy and Environmental Design) Green Building Rating System is the nationally accepted benchmark for the design, construction, and operation of high performance green buildings.

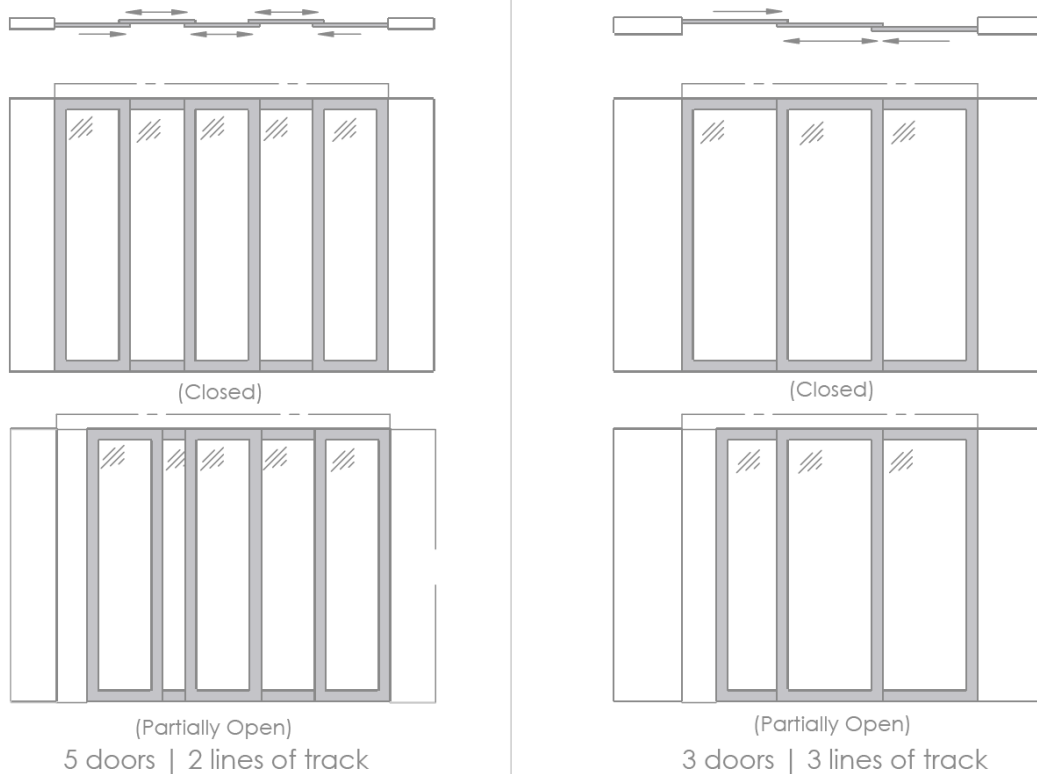
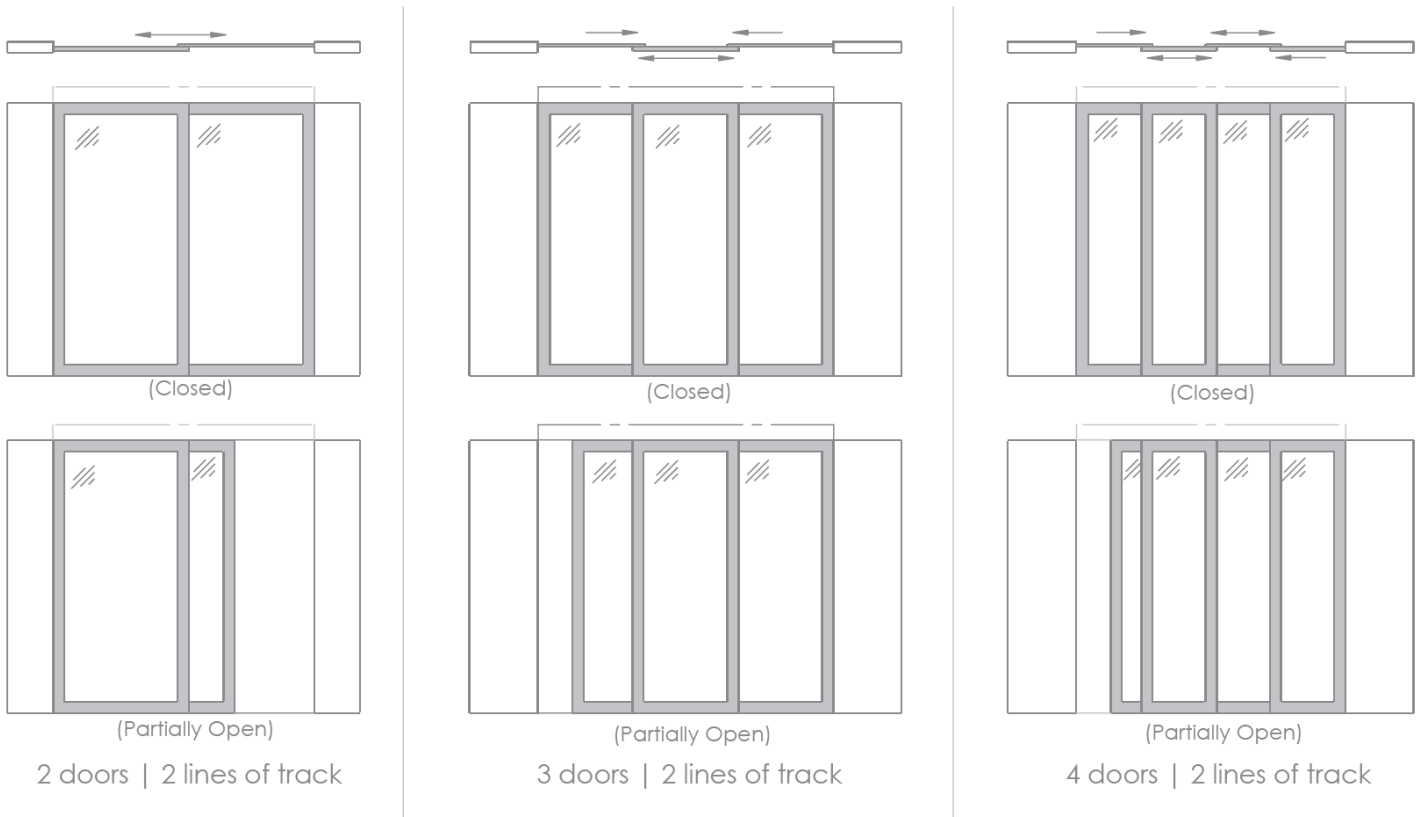


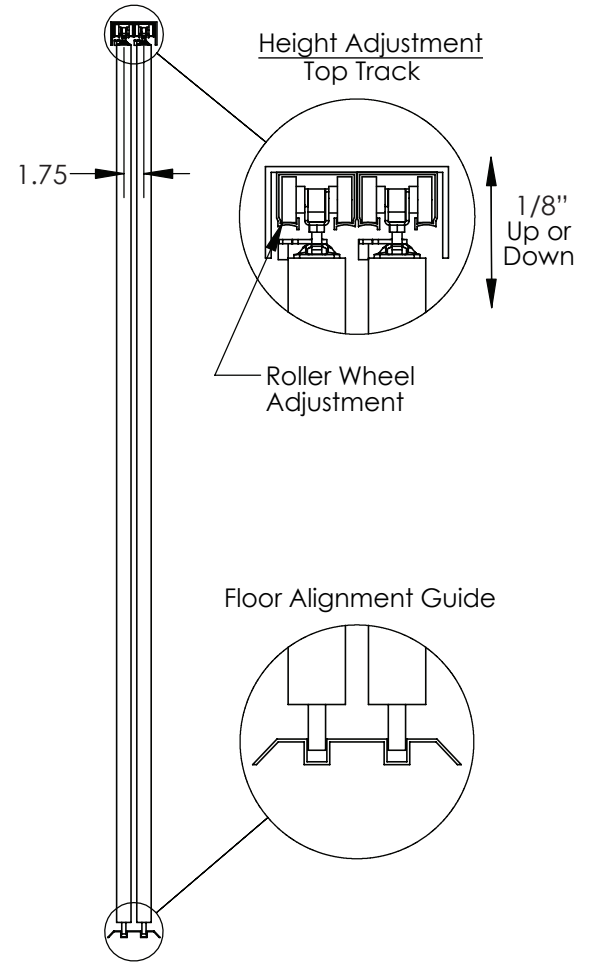
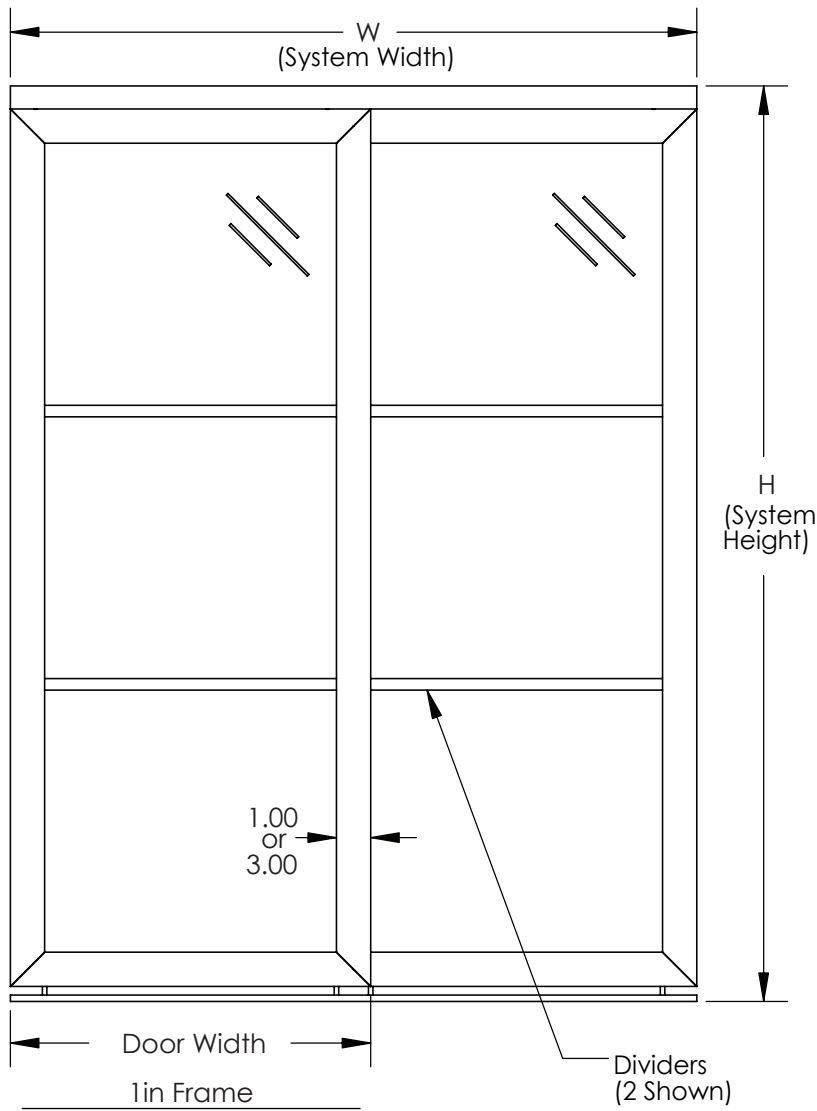
'LEED' is a trademark owned by the USGBC (U.S. Green Building Council).
Made in the USA.

Model Number

Closet	# Doors	# Lines of Track	Opening Width (inches)	Opening Height (inches)	Interlayer	Frame Size	Frame Finish	QuietSlide Track	Floor Alignment Guide	Finger Pulls	Dividers (ea door)
					GYM - Mosaic	1 - 1in	AA - Anodized Aluminum	S - Standard	S - Standard	NN - None	0
					GYB - Bubbly	3 - 3in	PE - Dark Espresso	R - Recessed	S - Standard	SF - Satin Nickel	1
					GYP - Pebbled		PW - Snow White		R - Recessed	BF - Solid Brass	2
					GYC - Citylights		PB - Knight Black		8 - 5/8" Recessed	KF - Black	3
					GYT - Cotton				B - Bracket		4
					GYN - Linen				Guides		5

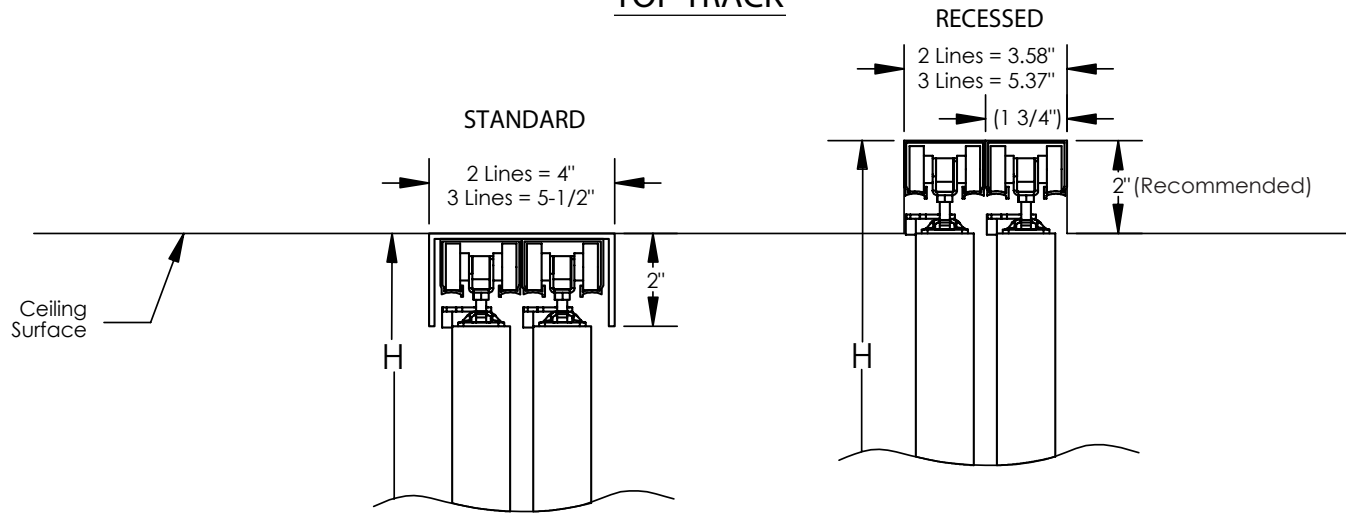
For a quote, please complete and email to sales@openclosedoors.com





- 2 Door System = $(W+1)/2$
 3 Door System = $(W+2)/3$
 4 Door System = $(W+3)/4$
- 3in Frame
- 2 Door System = $(W+3)/2$
 3 Door System = $(W+6)/3$
 4 Door System = $(W+9)/4$

TOP TRACK



FLOOR ALIGNMENT GUIDE

