

Description

Our Closet Door Systems are ideal for any sliding closet application. Doors slide on QuietSlide™ Track. '2 Doors, 2 Lines of Track' configuration shown at left. Please see page 2 for other common configurations.

Frame

Clean & simple, yet sleek frame design. Our aluminum extrusion frames are ideal for use in both professional or residential applications. Systems are fully finished on both sides with virtually no visible screws or fasteners.

Interlayer

- Acrylic. Clear Frosted or Gloss White.
- Glass. Frosted, Fine, Mirror or Clear.
- Architectural Glass. Grid, Pattern, Grain or Linear.
- Organic Ecoresin. Antique Fleur, Bamboo Dark, Banana Fiber, Grass Lite, Fossil Leaf or Hydrangea.

Custom interlayer options are available.

Frame Size

- 1in wide (Sleek, modern)
- 3in wide (Classic, traditional)

Frame Finish

Aluminum frames are offered in high-quality, durable anodized or powder coat finishes: Anodized Aluminum, Dark Espresso, Snow White and Knight Black. Custom powder coat colors are available.

QuietSlide™ Track

Overhead track suitable for surface or recessed mounting. The QuietSlide Track System ensures a smooth roll and quick installation. Aluminum extrusion with mounting holes and a design that ensures track wheels will never jump their tracks. All track hardware is included.

- Standard. Surface mounted, fascia included.
- Recessed. Recess mounted.

Floor Alignment Guide

Floor alignment guides allow for vertical alignment and extra stability of doors.

- Standard Guide. Surface mounted full-length guide.
- Recessed Guide. Recess mounted full-length guide.
- 5/8" Recessed Guide. Recess mounted 5/8" wide U-Channel full-length guide.
- Bracket Guides. Small bypass guides. Suited for 2-door bypassing systems.

Dividers

Our doors may optionally be fitted with 1 to 5 horizontal dividers that are finished to match the door frame. Dividers are installed at factory.

Green Building

Perfect for consideration in LEED®-certified projects.



The LEED® (Leadership in Energy and Environmental Design) Green Building Rating System is the nationally accepted benchmark for the design, construction, and operation of high performance green buildings.

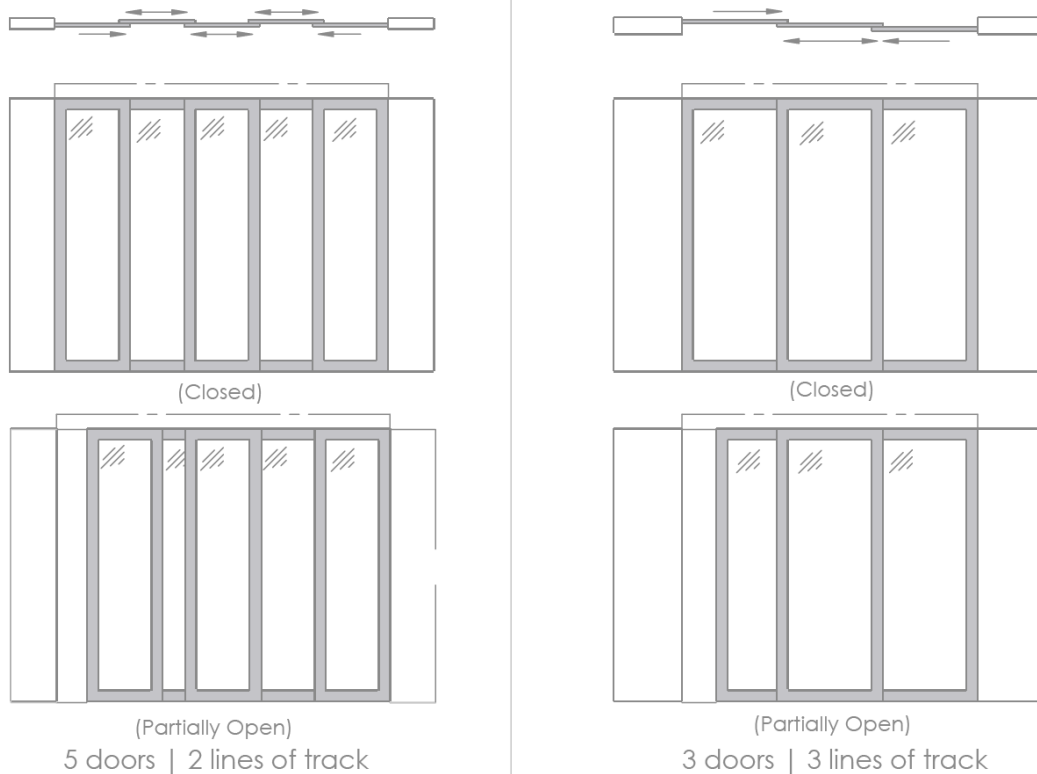
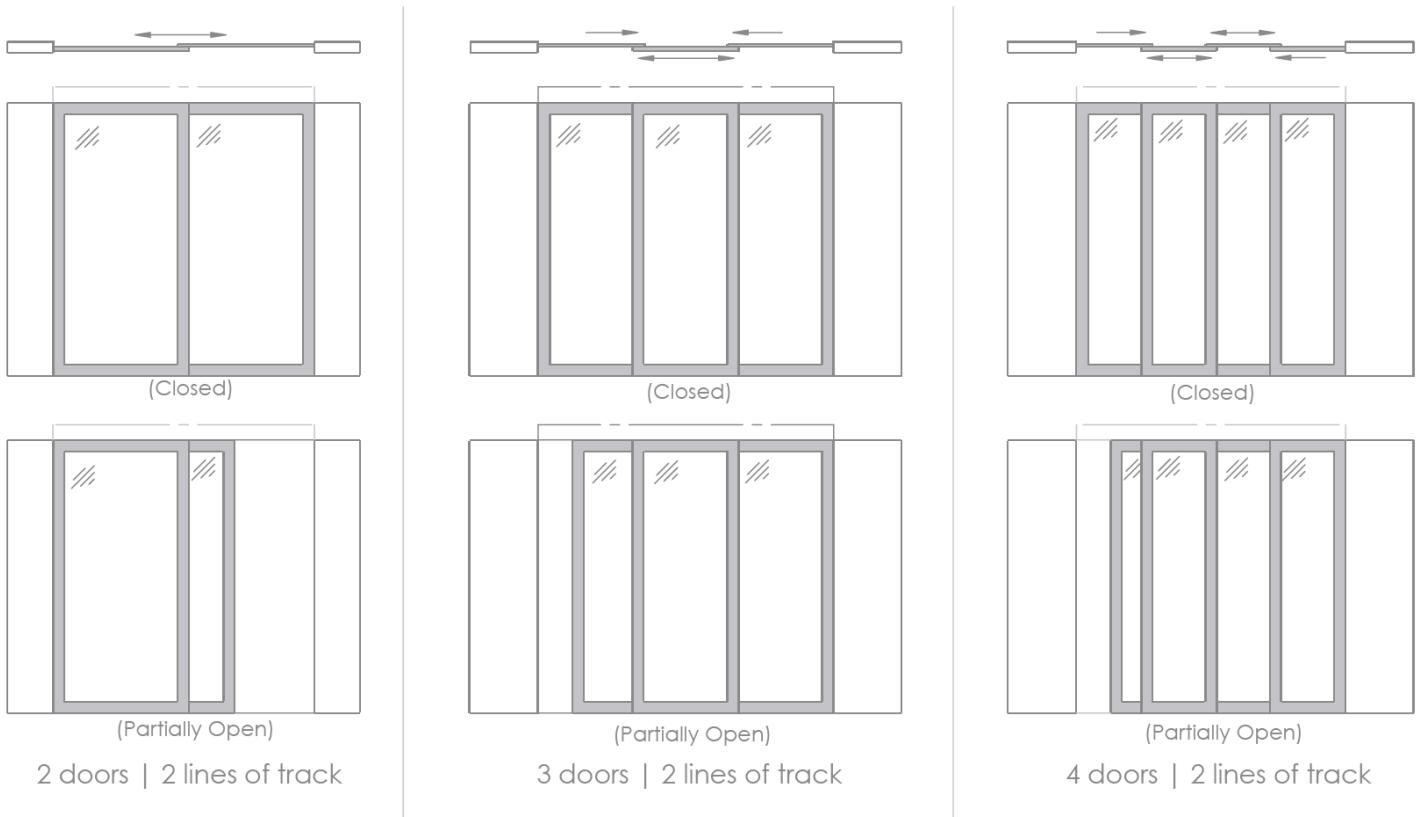
'LEED' is a trademark owned by the USGBC (U.S. Green Building Council).

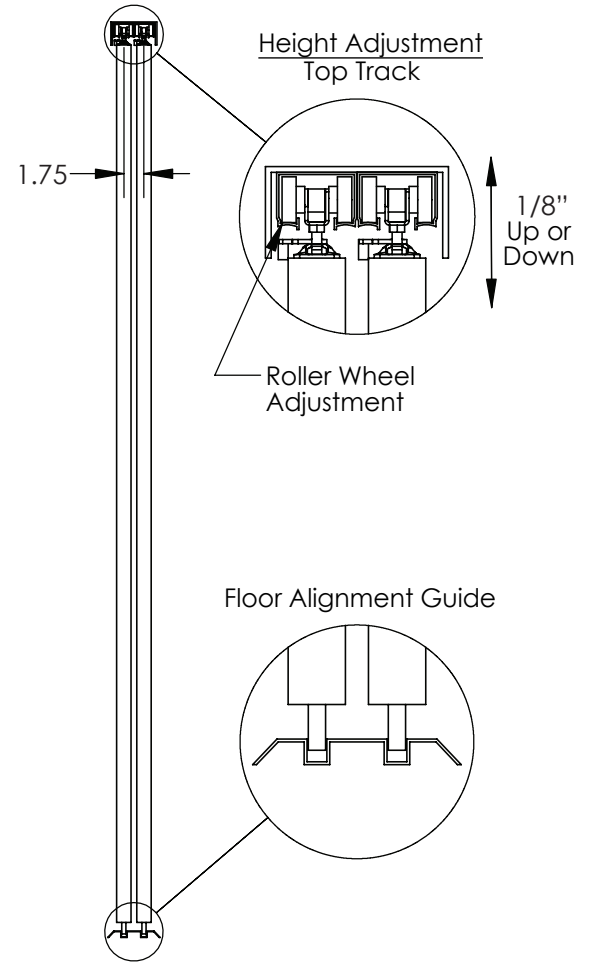
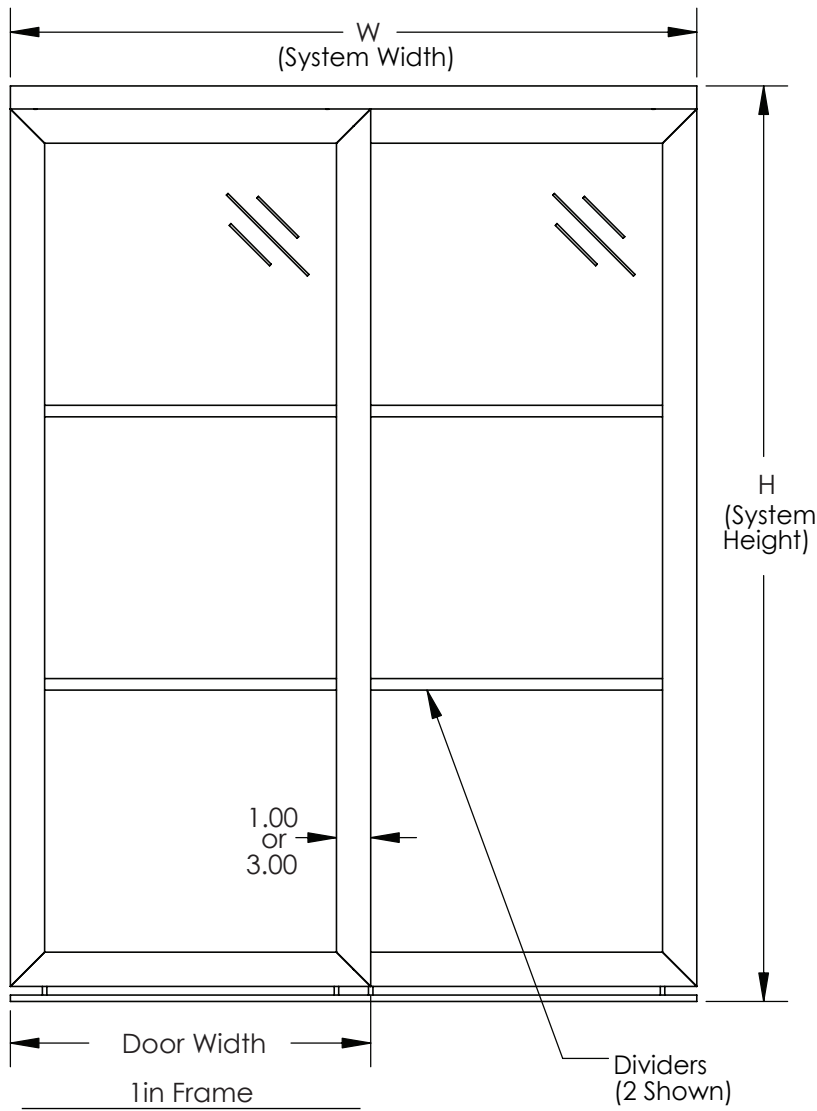
Made in the USA.

Model Number

Closet	# Doors	# Lines of Track	Opening Width (inches)	Opening Height (inches)	Interlayer	Frame Size	Frame Finish	QuietSlide Track	Floor Alignment Guide	Finger Pulls	Dividers (ea door)
					GGF - Frosted Glass	1 - 1in	AA - Anodized Aluminum	S - Standard	S - Standard	NN - None	0
					GGN - Fine Glass	3 - 3in	PE - Dark Espresso	R - Recessed	R - Recessed	SF - Satin Nickel	1
					GGM - Mirrored Glass		PW - Snow White		8 - 5/8" Recessed	BF - Solid Brass	2
					GGC - Clear Glass		PB - Knight Black		B - Bracket Guides	KF - Black	3
	AFR - Clear Frosted		3BN - Banana Fiber		GGG - Grid Glass						4
	AWH - Gloss White		3GL - Grass Lite		GGP - Pattern Glass						5
	3AF - Antique Fleur		3FL - Fossil Leaf		GGR - Grain Glass						
	3BD - Bamboo Dark		3HT - Hydrangea		GGL - Linear Glass						

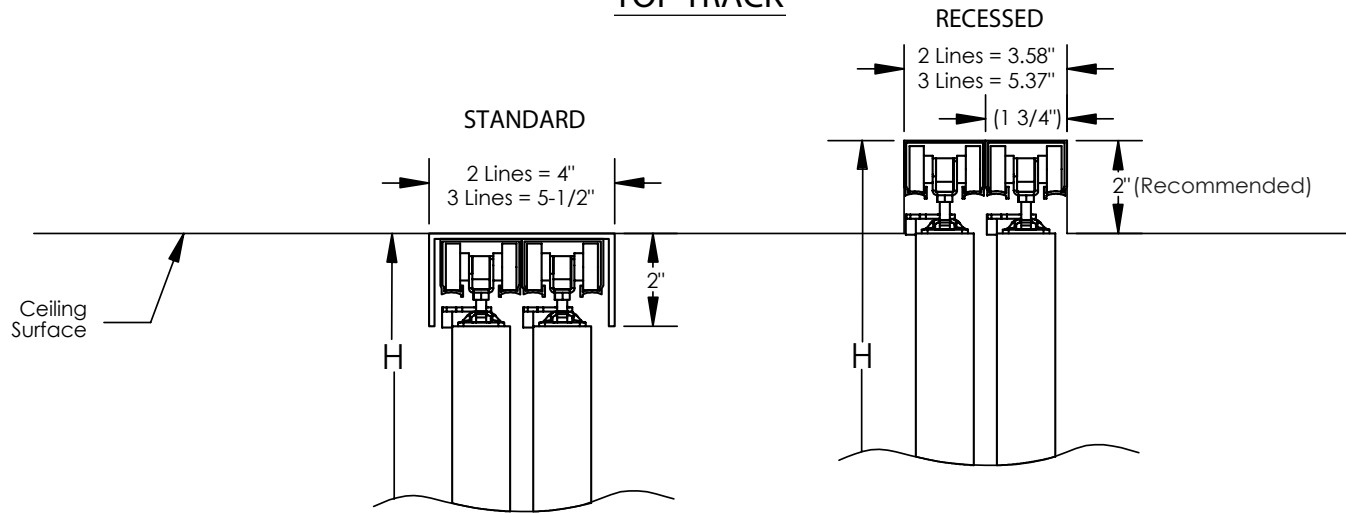
For a quote, please complete and email to sales@opencloseddoors.com





- 2 Door System = $(W+1)/2$
 3 Door System = $(W+2)/3$
 4 Door System = $(W+3)/4$
- 3in Frame
- 2 Door System = $(W+3)/2$
 3 Door System = $(W+6)/3$
 4 Door System = $(W+9)/4$

TOP TRACK



FLOOR ALIGNMENT GUIDE

