

Description

Our Wall Slide configuration is ideal for sliding door applications where space is a premium but a traditional built-in pocket door is not possible. The door slides on a single line of wall-mounted QuietSlide™ Track.

Frame

Clean & simple, yet sleek frame design. Our aluminum extrusion frames are ideal for use in both professional or residential applications. Systems are fully finished on both sides with virtually no visible screws or fasteners.

Interlayer

Choose from any of our standard interlayer options below:

Acrylic & Glass

- Acrylic. Clear Frosted or Gloss White.
- Glass. Frosted, Fine, Mirror or Clear.
- Architectural Glass. Grid, Pattern, Grain or Linear.
- Organic Ecoresin. Antique Fleur, Bamboo Dark, Banana Fiber, Grass Lite, Fossil Leaf or Hydrangea.

Layered Glass

- mosaic. 5/8" x 5/8" squares that provide a prism-like light scattering effect.
- bubbly. 3/8" dia circles that provide excellent privacy and light reflection.
- pebbled. 1/4" to 1" random pebble shapes with a slight metallic tint.
- citylights. tiny 1/4" x 1/4" squares that refract and reflect light in multiple directions.
- cotton. simulates cotton fabrics, provides great privacy and light transmission.
- linen. thin, wavy white linen pattern provides great design and partial privacy.

Woodgrains

Our Woodgrain Interlayers are made from premium solid surface laminated panels. Each are super-durable with superior resistance to wear and impact. Surface finish simulates an expertly sanded and multi coat satin finish often found on upper class wood products. This finish is stain and fade resistant (sunlight) and easy to clean. Each panel is sourced from materials with a high percentage of pre-consumer recycled content and support regional materials credit for LEED® building projects along the West Coast.

Trapped Series

The following types of trapped material are offered:

- Beach Dune Grass. Dried jade-colored beach grass is enclosed between two panels of tempered glass.
- Coastal Branch Stack. Light-colored coastal branches stacked and enclosed between two panels of tempered glass.
- Birch Branch Thatch. Natural-dried birch branch upright design enclosed between two panels of tempered glass.
- Ellipsed Wood Rings. Dyed wooden ribbon ellipsed rings are created from premium quality dyed wooden ribbon enclosed between two panels of tempered glass. Three color selections are available- brown, white, or black ribbon.

Wallcoverings

Wallcovering of customer's choice. Each wallcovering is sourced and installed in each door at the factory, so the final product is completely finished and ready to be installed once it arrives on the jobsite. Send wallcovering manufacturer and specification to us with your quote request.

Frame Size

- 1in wide (Sleek, modern) *Woodgrains & Trapped Series only available in 3in option.
- 3in wide (Classic, traditional)

Frame Finish

Aluminum frames are offered in high-quality, durable powder coat finishes: Dark Espresso, Snow White and Knight Black. Custom powder coat colors are available.

QuietSlide™ Track

Wall-mounted, overhead track suitable for surface mounting to vertical wall. The QuietSlide Track System ensures a smooth roll and quick installation. Aluminum extrusion with attached mounting brackets and a design that ensures track wheels will never jump their tracks. All track hardware is included.

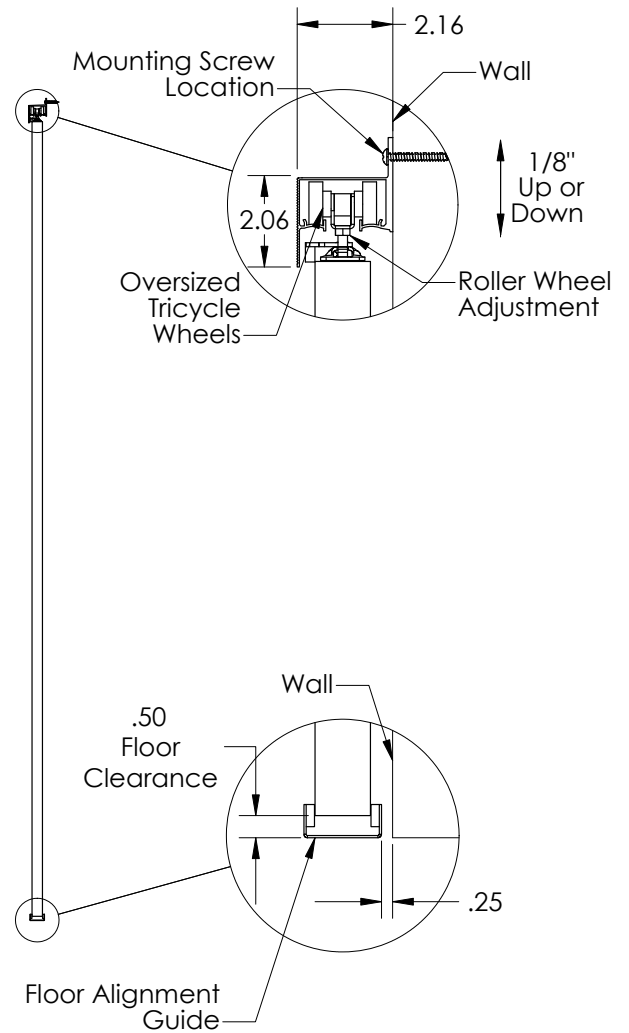
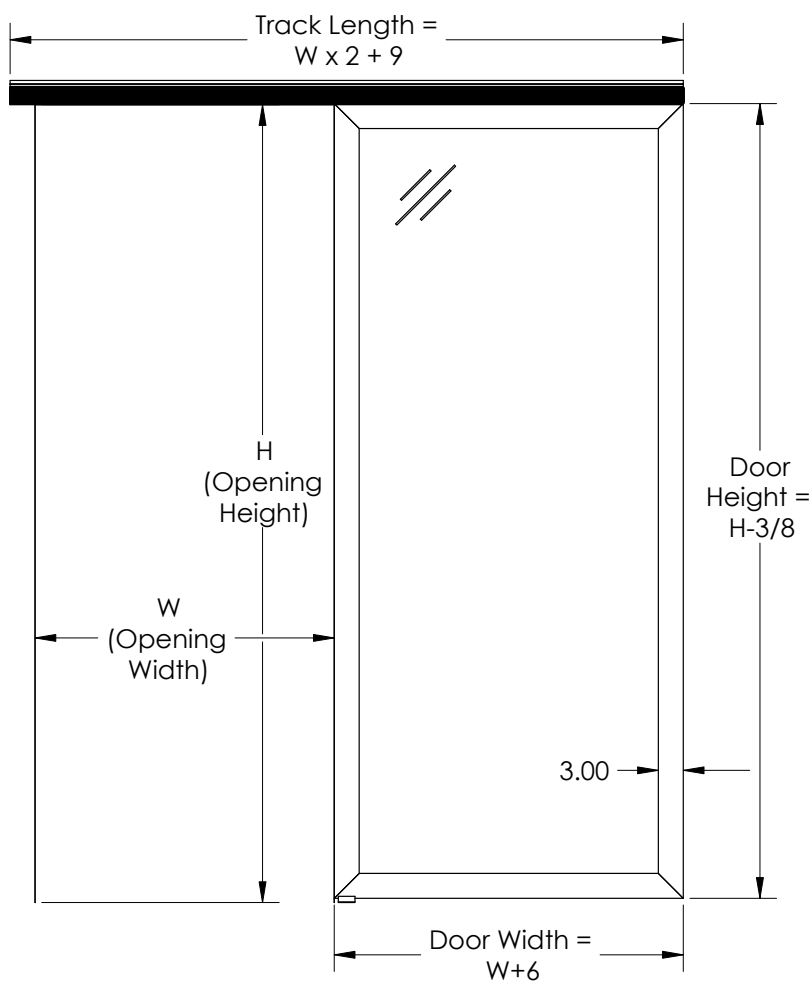
Dividers

Our doors may optionally be fitted with 1 to 5 horizontal dividers that are finished to match the door frame. Dividers are installed at factory.

Green Building

Perfect for consideration in LEED®-certified projects. 'LEED' is a trademark owned by the USGBC (U.S. Green Building Council).

Made in the USA.





Interior
Sliding
Door
Solutions

Barn Doors

1 Door

Acrylic & Glass | Layered Glass | Woodgrains | Trapped | Wallcoverings

Model Numbers

Acrylic & Glass | Layered Glass | Woodgrains

Barn Door	# Doors	# Lines of Track	Opening Width (inches)	Opening Height (inches)	Interlayer	Frame Size	Frame Finish	Hardware	Dividers (ea door)	
					<u>Acrylic & Glass</u> AFR - Clear Frosted AWH - Gloss White GGF - Frosted Glass GGN - Fine Glass GGM - Mirrored Glass GGC - Clear Glass GGG - Grid Glass GGP - Pattern Glass GGR - Grain Glass GGL - Linear Glass 3AF - Antique Fleur 3BD - Bamboo Dark 3BN - Banana Fiber 3GL - Grass Lite 3FL - Fossil Leaf 3HT - Hydrangea	<u>Woodgrains</u> WNM - Norwegian Maple WHM - Hardrock Maple WCA - Candlelight WPW - Pearwood WWC - Wild Cherry WCO - Cognac WJM - June Mahogany WAW - African Walnut WSY - Symphony WCP - Chocolate Pear <u>Layered Glass</u> GYM - Mosaic GYB - Bubbly GYP - Pebbled GYC - Citylights GYT - Cotton GYN - Linen	1 - 1in 3 - 3in	AA - Anodized Aluminum PE - Dark Espresso PW - Snow White PB - Knight Black	NN - None <u>Finger Pulls</u> SF - Satin Nickel BF - Solid Brass KF - Black <u>Pull Handle</u> 16 - 16in Stainless Steel Pull Handle	0 1 2 3 4 5

Trapped Series

Barn Door	# Doors	# Lines of Track	Opening Width (inches)	Opening Height (inches)	Rear Glass Panel	Trapped Material	Frame Finish	Hardware
					C - Clear F - Frosted	BDG - Beach Dune Grass CBS - Coastal Branch Stack BBT - Birch Branch Thatch EWR - Ellipsed Wood Rings- Brown EWW - Ellipsed Wood Rings- White EWA - Ellipsed Wood Rings- Black	AA - Anodized Aluminum PE - Dark Espresso PW - Snow White PB - Knight Black	NN - None <u>Finger Pulls</u> SF - Satin Nickel BF - Solid Brass KF - Black <u>Pull Handle</u> 16 - 16in Stainless Steel Pull Handle

For a quote, please complete and email to sales@openclosedoors.com