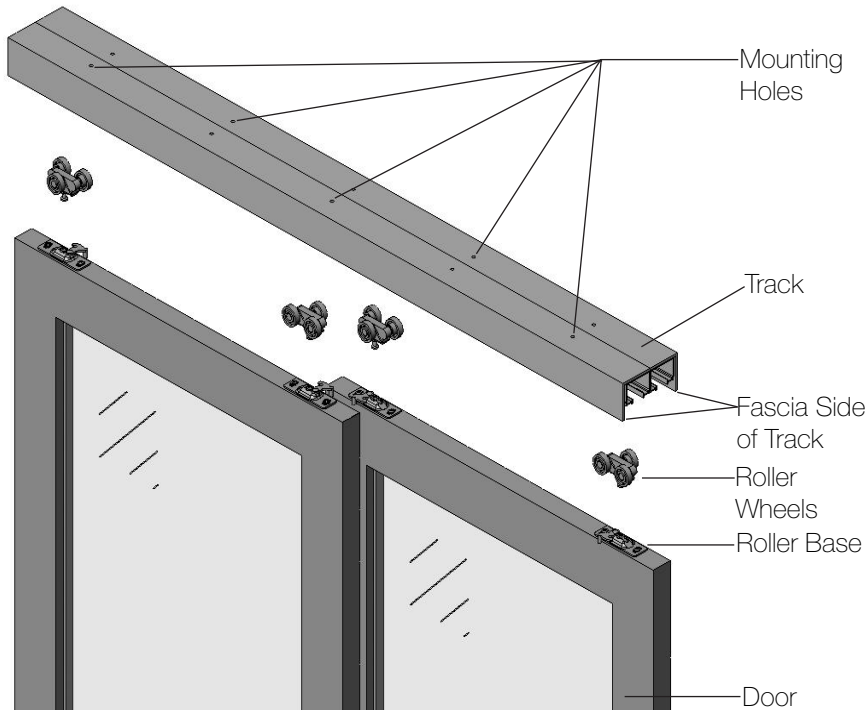


Installation Instructions Closet Systems Standard QuietSlide Track

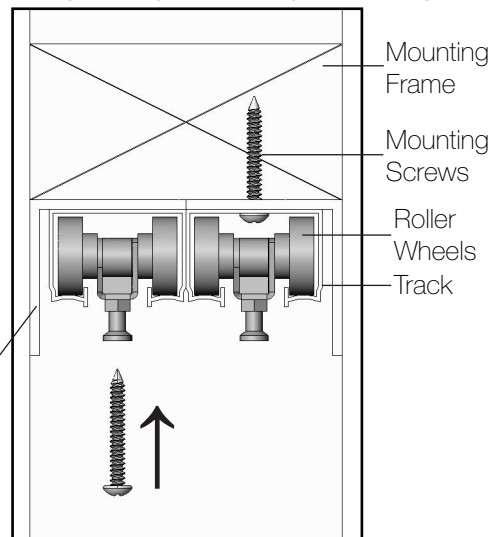
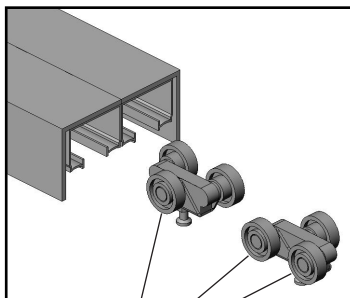
*Read all instructions carefully before installing.

*Warranties may be voided if installation instructions are not accurately followed.

1 Identify Parts.

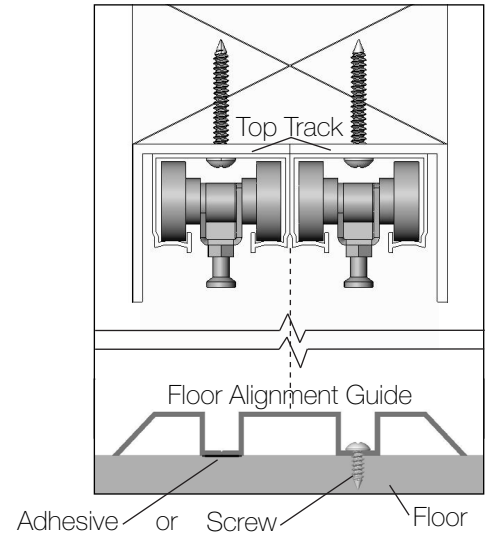


2 Install Track.
Insert Roller Wheels (2 per Door) into side of Track that each Door will mount on. Insert so that each set of Roller Wheels alternate for even weight distribution (see below.) Install Track w/ Fascia Side (exposed, finished side) towards room. Screw Track into Mounting Frame (typically 2x4, provided by others) using Mounting Screws through the Mounting Holes provided in the Track.

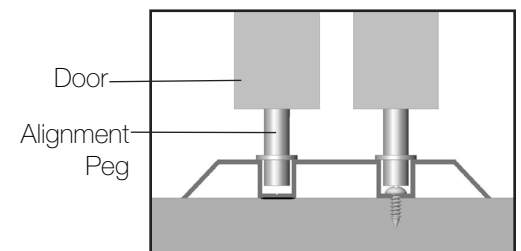


3 Install Floor Alignment Guide (Optional in Some Models)

Align center of Floor Alignment Guide with the center of Top Track. Secure Floor Alignment Guide to Floor using adhesive or screws. If using screws, ensure to predrill a through hole in Floor Alignment Guide - a screw line is provided in the center of each groove for perfect centering. Also ensure screw head is not taller than .10" so it will not interfere with Spring-Loaded Alignment Pegs (on each door.)

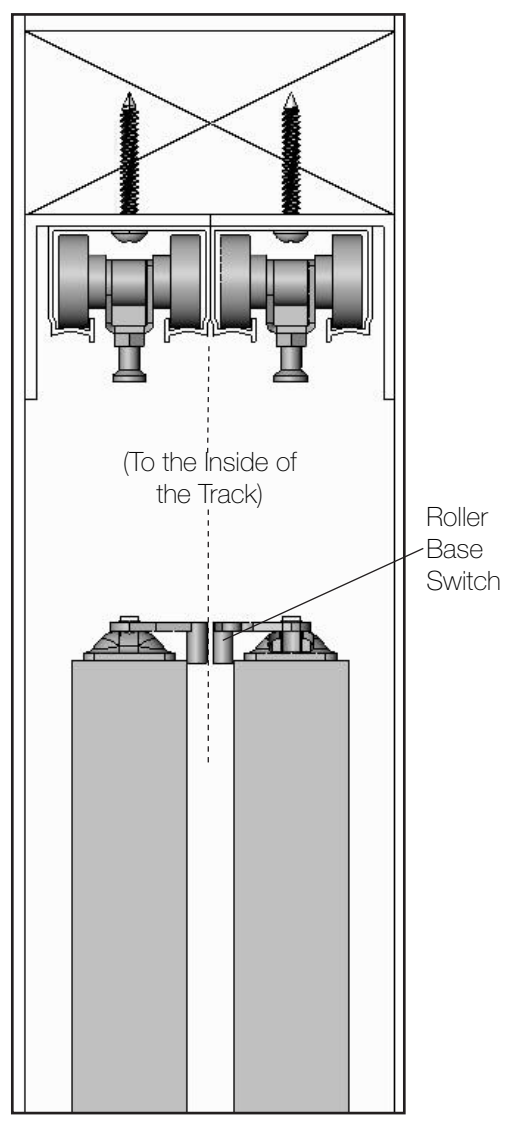


4 Position Doors in Alignment
Position Doors into Floor Alignment Guide, keeping alignment of Step 5 in mind. Drop Doors over Floor Alignment Guide so that Alignment Pegs are positioned as shown. The Alignment Pegs will compensate for system height differences in your space.

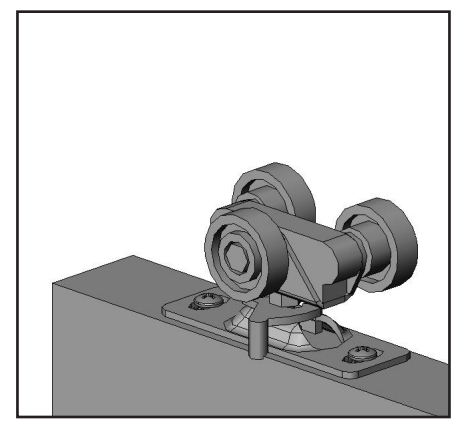
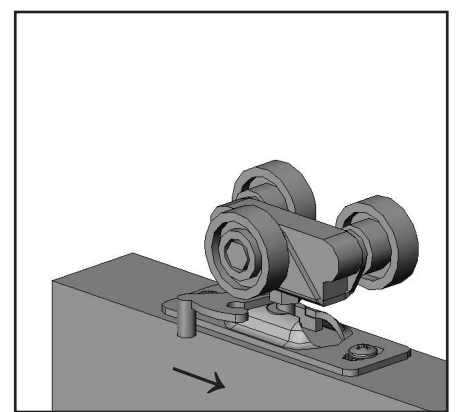
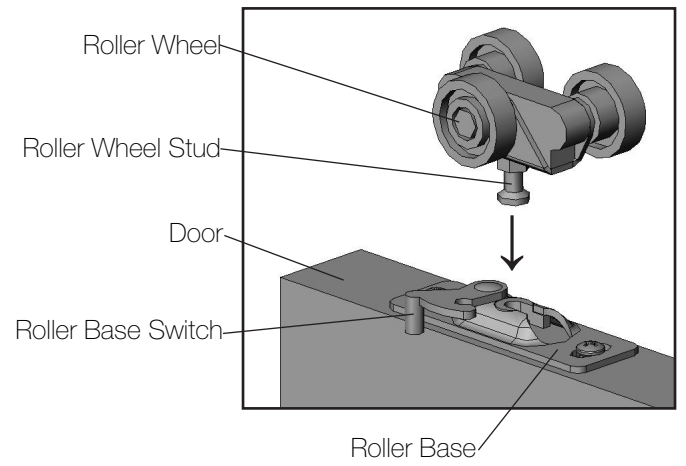


*Installing Contractor/Personnel is responsible for providing secure Mounting Frame/Structure in which to install track. Open | Close Doors is not liable for the installation of door/track systems installed with insufficient Mounting Structures.

5 Align Doors.
 Get ready to install Doors onto Roller Wheels by aligning each door. To do this, make sure the Roller Base Switch is on the interior side of the Track (Side of the Door that passes other Doors).



6 Attach Roller Wheels to Doors.
 Lift the Door to the Track (NOT SHOWN) and Insert Roller Wheel Stud into Roller Base. Close Roller Base Switch by moving from left to right. A tight snap should be felt and heard.



7 Installation Complete.
Correct Installation should look as pictured below.

